

AS04SIL-A

EN	Instruction Sheet
TR	Bilgi Dökümanı
TW	安裝說明
CN	安装说明



5014122900
2020-01-22



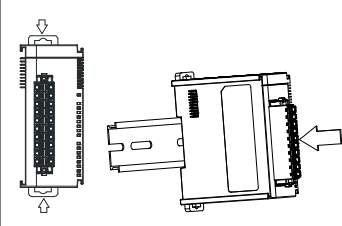
www.deltaww.com



EN	✎ This is an OPEN TYPE module and therefore should be installed in an enclosure free of airborne dust, humidity, electric shock and vibration. The enclosure should prevent non-maintenance staff from operating the device (e.g. key or specific tools are required for operating the enclosure) in case danger and damage on the device may occur.
FR	✎ Ceci est un module ouvert et il doit donc être installé dans un coffret à l'abri des poussières, des vibrations et ne pas être exposé aux chocs électriques. Le boîtier ou l'armoire doit éviter toute action d'un personnel autre que celui affecté à la maintenance de l'appareil (par exemple, clefs, outils spécifiques pour l'ouverture du coffret), ceci afin d'éviter tout accident corporel ou endommagement du produit).
TR	✎ Bu ürün AÇIK TİP bir modül olup toz, rutubet, elektrik şoku ve titreşimden uzak kapalı yerlerde muhafaza edilmelidir. Yanlış kullanım sonucu ürünün zarar görmesini önlemek için yetkili olmayan kişiler tarafından ürüne müdahale edilmesini önleyecek koruyucu önlemler alınmalıdır. (Ürünün bulunduğu panoya kilit konulması gibi).
TW	✎ 本機為開放型 (OPEN TYPE) 機種，因此使用者使用本機時，必須將之安裝於具防塵、防潮及免於電擊衝擊意外之外殼配線箱內。另必須具備保護措施 (如：特殊之工具或鑰匙才可打開) 防止非維護人員操作或意外衝擊本體，造成危險及損壞。
CN	✎ 本机为开放型 (OPEN TYPE) 机种，因此使用者使用本机时，必须将其安装于具防尘、防潮及免于电击/冲击意外的外壳配线箱内。另必须具备保护措施 (如：特殊的工具或钥匙才可打开) 防止非维护人员操作或意外冲击本体，造成危险及损坏。

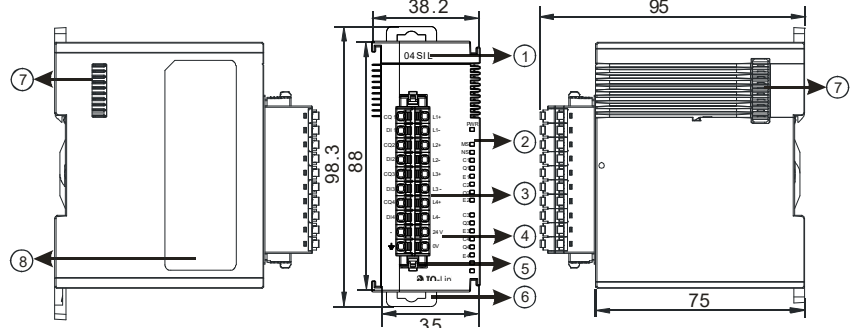
EN	Please refer to the AS Series Hardware Manual for more information.	TR	Daha fazla bilgi için lütfen AS Serisi Donanım Klavuzuna bakınız.
TW	詳細資料請參考 AS 系列硬體手冊	CN	详细资料请参考 AS 系列硬件手册

EN	Assembly	TR	Montaj	TW	安裝	CN	组装
EN	Clip up the two DIN rail clip on the module. Parallel the module groove on the back to the DIN rail, then push and slide along until hearing a click.	TR	Modül üzerindeki iki DIN ray klipsini dışa doğru çekin. Altındaki modül oyuğunu DIN ray ile paralel konuma getiriniz ve sonra klik sesini duyana kadar klipsleri içe doğru bastırın.	TW	將模組上下方的兩個 DIN 軌固定扣往中間壓後，將模組後方勾槽平行對準 DIN 軌並往 DIN 軌壓直到喀一聲，即完成。	CN	將模块上下方的两个 DIN 轨固定扣往中间压后，将模块后方勾槽平行对准 DIN 轨并往 DIN 轨压直到喀一声，即完成。



EN	Product Profile & Dimensions (mm)	TR	Ürün Profili & Ölçüler(mm)	TW	外觀與尺寸	CN	外观与尺寸
----	-----------------------------------	----	----------------------------	----	-------	----	-------

EN	Dimensions(mm) & Product Profile	TR	Ölçüler(mm) & Ürün Görünüşü	TW	尺寸 (mm) 及產品外觀	CN	尺寸 (mm) 及产品外观
----	----------------------------------	----	-----------------------------	----	---------------	----	---------------



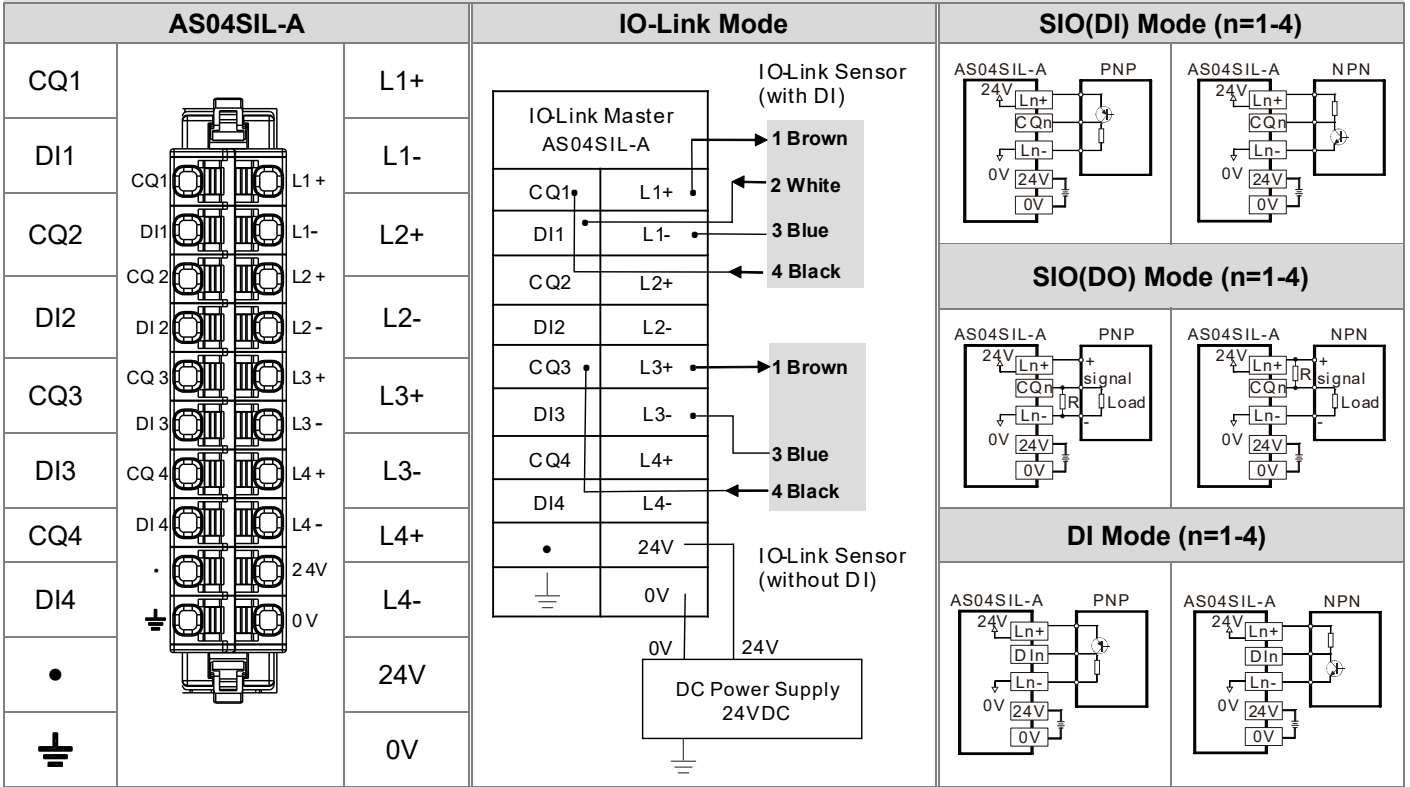
1	Model name	Model adı	機種名稱	机种名称
2	Status indicator	Durum göstergesi	狀態指示燈	状态指示灯
3	Removable terminal block	Sökülebilir terminal bloğu	脫落式端子	脱落式端子
4	I/O terminal configuration	I/O terminal yapılandırma	輸入輸出端子配置	输入输出端子配置
5	Removable terminal clasp	Sökülebilir terminal kenetleyici	脫落式端子拉勾	脱落式端子固定杆
6	DIN rail clip	DIN ray klipsi	DIN 軌固定扣	DIN 轨固定扣
7	Extension module communication port	Genişleme modülü iletişim portu	擴充模組通訊埠	扩充模块通讯端口
8	Label	Etiket	標籤	标签

EN I/O Wiring

TR I/O Bağlantı

TW 輸入輸出配線

CN 輸入輸出配线



EN Wiring

TR Bağlantı

TW 配線

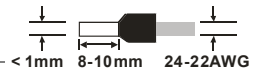
CN 配线

EN Please use single-core or multi-core cables. The diameters of the cables used should be within the range between 24 AWG and 22 AWG (1 mm). The specifications for the terminals and the wiring are shown in the figure. The temperature of the copper conductor should be 60/75°C.

TR Lütfen tek damarlı veya çok damarlı kablo kullanın. Kullanılan kablo çapı 24 AWG ve 22 AWG (<1 mm) aralığında olmalıdır. Terminal ve bağlantı özellikleri şekilde gösterilmiştir. Bakır iletkenin sıcaklığı 60/75°C'ye kadar olmalıdır.

TW 輸出 / 入配線端請使用 24-22AWG (1mm) 單蕊裸線或多蕊線，端子規格及配線示意圖如右所示。只能使用 60/75°C 的銅導線。

CN 輸出 / 入配线端請使用 24-22AWG (1mm) 單蕊裸線或多蕊線，端子規格及配线示意圖如右所示。只能使用 60/75°C 的銅導線。



Part Name	有毒物质-Hazardous Substances						台達電子工業股份有限公司 機電事業群 地址：33068 桃園市桃園區興隆路 18 號 電話：886-3-3626301 傳真：886-3-3716301	Industrial Automation Headquarters Delta Electronics, Inc. Taoyuan Technology Center No.18, Xinglong Rd., Taoyuan District, Taoyuan City, 33068, Taiwan TEL: 886-3-362-6301 / FAX: 886-3-371-6301
	鉛(Pb)	汞(Hg)	鎘(Cd)	六價鉻(Cr VI)	多溴聯苯(PBB)	多溴二苯醚(PBDE)		
金屬部件 Metal Part	X	○	○	○	○	○	中達電通股份有限公司 地址：上海市浦東新區民夏路 238 號 郵編：201209 電話：(021) 5863-5678 傳真：(021) 5863-0003	Delta Greentech (China) Co., Ltd. 238 Min-Xia Road, Pudong District, Shanghai, P.R.C. 201209 TEL: 86-21-5863-5678 / FAX: 86-21-5863-0003
塑料部件 Plastic Part	○	○	○	○	○	○		
電子件 Electronic	X	○	○	○	○	○	上海 電話：(021)6301-2827 南昌 電話：(0791)8625-5010 合肥 電話：(0551)6281-6777 南京 電話：(025)8334-6585 杭州 電話：(0571)8882-0610 武漢 電話：(027)8544-847 長沙 電話：(0731)8827-7881 南寧 電話：(0771)5879-599 廈門 電話：(0592)5313-601 廣州 電話：(020)3879-2175 濟南 電話：(0531)8690-7277 鄭州 電話：(0371)6384-2772 北京 電話：(010)8225-3225 天津 電話：(022)2301-5082 太原 電話：(0351)4039-475 烏魯木齊 電話：(0991)4678-141 西安 電話：(029)8636-0780 成都 電話：(028)8434-2075 重慶 電話：(023)8806-0306 哈爾濱 電話：(0451)5366-0643 沈陽 電話：(024)2334-16123 長春 電話：(0431)8892-5060	Delta Electronics (France) S.A. 21 du bois Chiland 2, 15 rue des Pyrenées, Lisses, 91090 Evry Cedex, France Mail: Sales.IA.FR@deltaww.com TEL: +33(0)1 69 77 82 60 Iberia: Delta Electronics Solutions (Spain) S.L.U Ctra. De Villaverde a Valdecasas, 255 1ª Dcha Ed. Horniguerras - P1 de Valdecasas 28031 Madrid TEL: +34(0)91 223 74 20 C/Llull, 321-329 (Edifici CINC) / 22@Barcelona, 08019 Barcelona Mail: Sales.IA.Iberia@deltaww.com TEL: +34 93 303 00 60 Italy: Delta Electronics (Italy) S.r.l. Ufficio di Milano Via Sentigallia 180 20161 Milano (MI) Piazza Grazioli 18 00186 Roma Italy Mail: Sales.IA.Italy@deltaww.com TEL: +39 02 64672538 Russia: Delta Energy System LLC Verenskaya Plaza II, office 112 Vereyskaya str. 17 121367 Moscow Russia Mail: Sales.IA.ME@deltaww.com TEL: +7 495 644 3240 Turkey: Delta Greentech Elektronik San. Ltd. Sti. (Turkey) Şerifali Mah. Hendem Cad. Kule Sok. No:16-A 34775 Unranlıye - İstanbul Mail: Sales.IA.Turkey@deltaww.com TEL: +90 216 499 9910 GCC: Delta Energy Systems AG (Dubai BR) P.O. Box 185668, Gate 7, 3rd Floor, Hamarain Centre Dubai, United Arab Emirates Mail: Sales.IA.ME@deltaww.com TEL: +971(0)4 2690148 Egypt & North Africa: Delta Electronics 511 Cairo Bussiness Plaza, North 90 street, New Cairo, Cairo, Egypt Mail: Sales.IA.ME@deltaww.com
触点 Contacts	○	○	X	○	○	○		
线缆和线缆附件 Cable & Cabling accessories	X	○	○	○	○	○		
電池 Battery	○	○	○	○	○	○		
<p>本表格依据 SJ/T 11364 的规定编制。 ○：表示该有害物质在该部件所有均质材料中的含量均在 GB/T 26572 规定的限量要求以下。 X：表示该有害物质在该部件的某一均质材料中的含量超出 GB/T 26572 规定的限量要求。</p> <p>This table is made according to SJ/T 11364. ○: Indicates that the concentration of hazardous substance in all of the homogeneous materials for this part is below the limit as stipulated in GB/T 26572. X: Indicates that concentration of hazardous substance in at least one of the homogeneous materials used for this part is above the limit as stipulated in GB/T 26572.</p>								
Asia Delta Electronics (Shanghai) Co., Ltd. No.182 Minyu Rd., Pudong Shanghai, P.R.C. Post code: 201209 TEL: 86-21-6872-3988 / FAX: 86-21-6872-3996 Customer Service: 400-820-9595 Delta Electronics (Japan), Inc. Tokyo Office Industrial Automation Sales Department 2-1-14 Shibadaiimon, Minato-ku Tokyo, Japan 105-0012 TEL: 81-3-5733-1155 / FAX: 81-3-5733-1255 Delta Electronics (Korea), Inc. Seoul Office 1511, 219, Gasan Digital 1-Ro., Geumcheon-gu, Seoul, 08501 South Korea TEL: 82-2-515-5305 / FAX: 82-2-515-5302 Delta Energy Systems (Singapore) Pte Ltd. 4 Kaki Bukit Avenue 1, #05-04, Singapore 417939 TEL: 65-6747-5155 / FAX: 65-6744-9228 Delta Electronics (India) Pvt. Ltd. Plot No.43, Sector 35, HSIIDC Gurgaon, PIN 122001, Haryana, India TEL: 91-124-4874900 / FAX: 91-124-4874945 Delta Electronics (Thailand) PCL. 909 Soi 9, Moo 4, Bangpoo Industrial Estate (E.P.Z), Pattana 1 Rd., T.Phraksa, A.Muang, Samutprakarn 10280, Thailand TEL: 66-2709-2800 / FAX: 662-709-2827 Delta Energy Systems (Australia) Pty Ltd. Unit 20-21/45 Normanby Rd., Notting Hill Vic 3168, Australia TEL: 61-3-9543-3720		Americas Delta Electronics (Americas) Ltd. Raleigh Office P.O. Box 12173, 5101 Davis Drive, Research Triangle Park, NC 27709, U.S.A. TEL: 1-919-767-3813 / FAX: 1-919-767-3969 Delta Greentech (Brasil) S/A São Paulo Office Rua Itapeva, 26 - 3º Andar - Bela Vista CEP: 01332-000 - São Paulo - SP - Brasil TEL: 55-11-3530-8642 / 55-11-3530-8640 Delta Electronics International Mexico S.A. de C.V. Mexico Office Via Dr. Gustavo Baz No. 2160, Colonia La Loma, 54060 Tlalapanita Estado de Mexico TEL: 52-55-2628-3015 #3050/3052 EMEA Headquarter: Delta Electronics (Netherlands) B.V. Sales: Sales.IA.EMEA@deltaww.com Marketing: Marketing.IA.EMEA@deltaww.com Technical Support: itatechnicalsupport@deltaww.com Customer Support: Customer-Support@deltaww.com Service: Service.IA.emea@deltaww.com TEL: +31(0)40 800 3800 BENELUX: Delta Electronics (Netherlands) B.V. De Vriboog 20, 5652 AG Eindhoven, The Netherlands Mail: Sales.IA.BENELUX@deltaww.com TEL: +31(0)40 800 3800 DACH: Delta Electronics (Netherlands) B.V. Coesterweg 45, D-59494 Soest, Germany Mail: Sales.IA.DACH@deltaww.com TEL: +49(0)2921 987 0		France: Delta Electronics (France) S.A. 21 du bois Chiland 2, 15 rue des Pyrenées, Lisses, 91090 Evry Cedex, France Mail: Sales.IA.FR@deltaww.com TEL: +33(0)1 69 77 82 60 Iberia: Delta Electronics Solutions (Spain) S.L.U Ctra. De Villaverde a Valdecasas, 255 1ª Dcha Ed. Horniguerras - P1 de Valdecasas 28031 Madrid TEL: +34(0)91 223 74 20 C/Llull, 321-329 (Edifici CINC) / 22@Barcelona, 08019 Barcelona Mail: Sales.IA.Iberia@deltaww.com TEL: +34 93 303 00 60 Italy: Delta Electronics (Italy) S.r.l. Ufficio di Milano Via Sentigallia 180 20161 Milano (MI) Piazza Grazioli 18 00186 Roma Italy Mail: Sales.IA.Italy@deltaww.com TEL: +39 02 64672538 Russia: Delta Energy System LLC Verenskaya Plaza II, office 112 Vereyskaya str. 17 121367 Moscow Russia Mail: Sales.IA.ME@deltaww.com TEL: +7 495 644 3240 Turkey: Delta Greentech Elektronik San. Ltd. Sti. (Turkey) Şerifali Mah. Hendem Cad. Kule Sok. No:16-A 34775 Unranlıye - İstanbul Mail: Sales.IA.Turkey@deltaww.com TEL: +90 216 499 9910 GCC: Delta Energy Systems AG (Dubai BR) P.O. Box 185668, Gate 7, 3rd Floor, Hamarain Centre Dubai, United Arab Emirates Mail: Sales.IA.ME@deltaww.com TEL: +971(0)4 2690148 Egypt & North Africa: Delta Electronics 511 Cairo Bussiness Plaza, North 90 street, New Cairo, Cairo, Egypt Mail: Sales.IA.ME@deltaww.com				